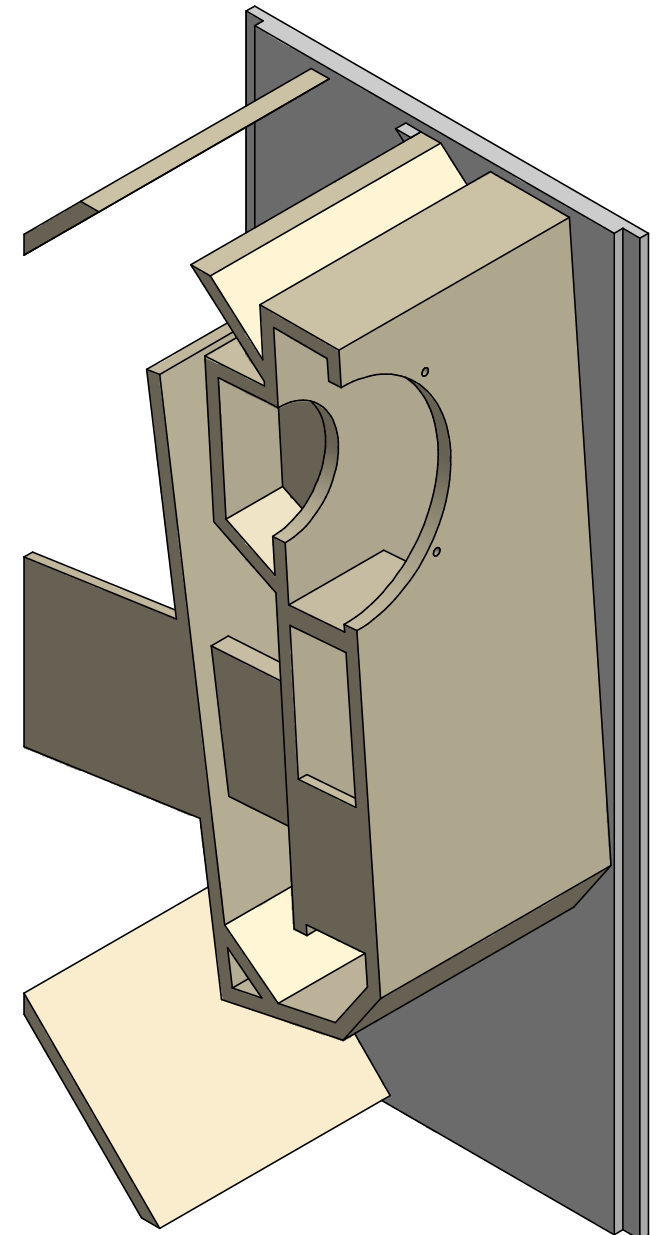
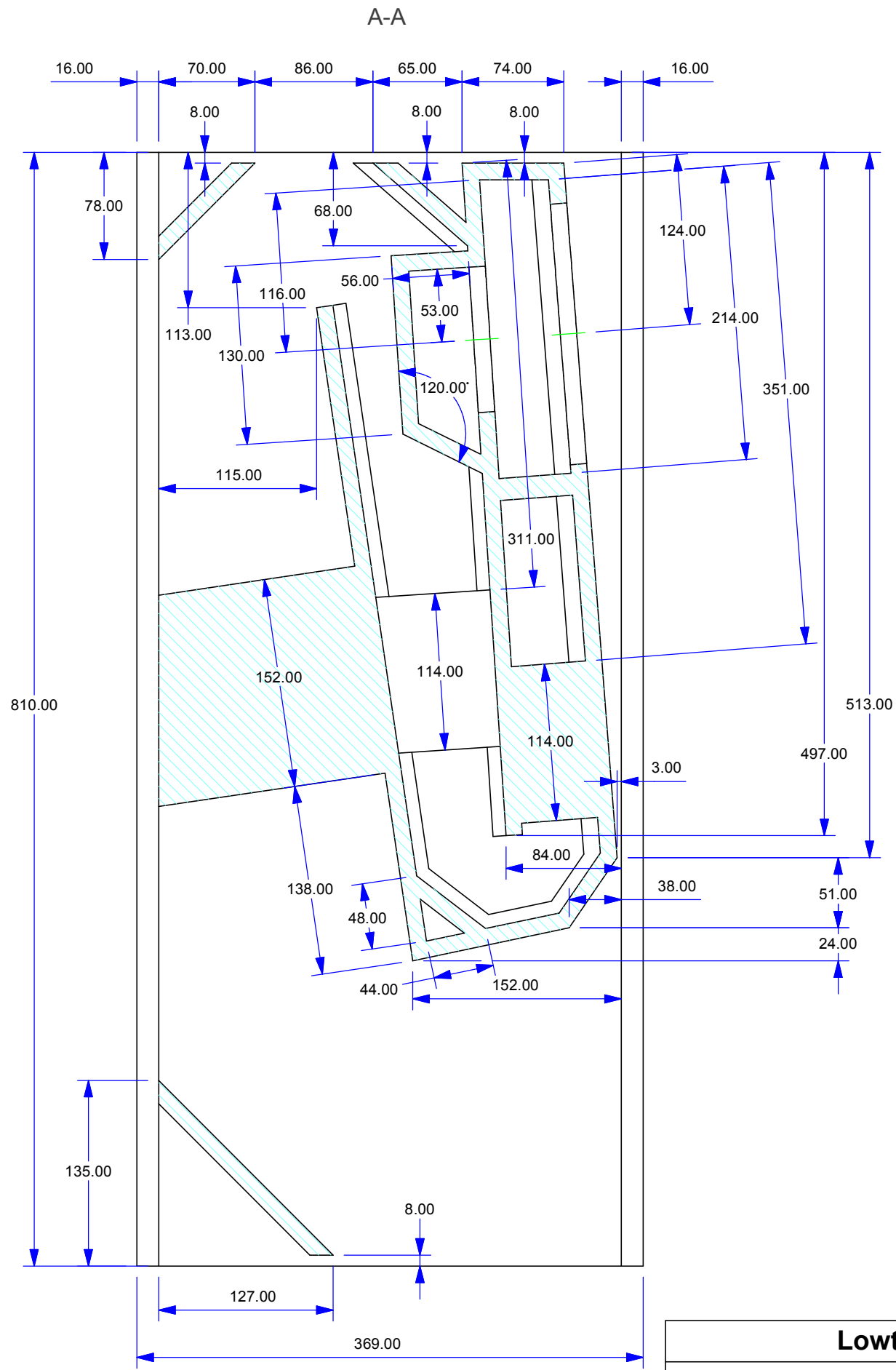


4 x 7.50mm holes to take  
6.00mm threaded inserts  
fitted to the rear of the front panel



Interior Panels

All interior panels are at 12.00mm except where shown otherwise

<b>Lowther Loudspeaker Systems Ltd.</b>			
<b>Acousta 116 Cabinet</b>			
<b>Sheet Number:</b> 1	<b>Drawn By:</b> R. Quinton	<b>Drawing Number:</b> RQA116A3/0001	<b>Material:</b> Veneered Blockboard
<b>Total Sheets:</b> 6	<b>Date:</b> 23/10/2003	<b>Drawing Units:</b> Millimeters	